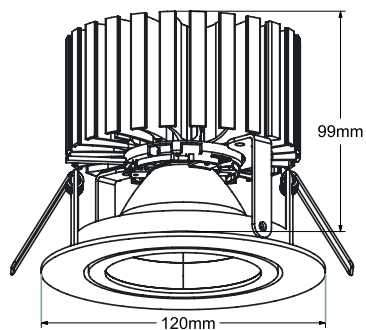
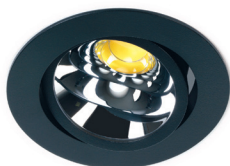


EDNA FLEX



REF A6112W Edna Flex white
 A6112B Edna Flex black

LED Xicato XTM
 LED LM OUTPUT 1.300 up to 3.850 lm
 POWER CONS. according to lm output - see table p. 195
 COLOR TEMP. 2.700 / 3.000 / 4.000 K
 CRI 80 or +95
 COLOR QUAL. artist / beauty / vibrant / vibrant artist
 REFLECTOR 20° / 40° / 60° (11° only available in 1.300 lm)
 FINISH white RAL 9016 tex
 black RAL 9005 tex
 ADJUSTABLE 0-30°
 CUT-OUT Ø 110 mm
 DRIVE CURRENT supplied with driver



MODEL	REFERENCE	LM OUTPUT	CRI / CCT	BEAM	DIMMING
EDNA FLEX WHITE EDNA FLEX BLACK	A6112W A6112B	1.300 lm	827 - 830 - 840 - V830	11° 20° 40° 60°	ND PD A D
			927 - 930 - 940 - V930 - BT - F+		
		2.000 lm	827 - 830 - 840 - V830		
			927 - 930 - 940 - V930 - BT - F+		
		3.000 lm	827 - 830 - 840 - V830		
3.850 lm	827 - 830 - 840 - V830				

ND: non dimmable / PD: phase dimming / A: 1-10V / D: Dali