

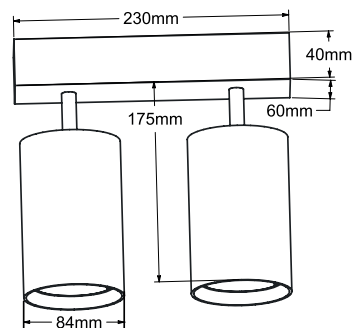
TUBE FX ON 2 RECT



REF	A6179W Tube FX ON 2 Rect white A6179B Tube FX ON 2 Rect black
LED	2x Xicato XIM
LED LM OUTPUT	2x 2.000 lm max.
POWER CONS.	according to lm output - see table p. 193
COLOR TEMP.	2.700 / 3.000 / 4.000 K
CRI	80 or +95
COLOR QUAL.	artist / beauty / vibrant / vibrant artist
REFLECTOR	20° / 40° / 60° (12° only available in 1.300 lm)
FINISH	white RAL 9016 tex black RAL 9005 tex
ADJUSTABLE	2x (45° x 355°)
CUT-OUT	n/a
DRIVE VOLTAGE	230 Vac build in driver
DIMMING	1-10 V (0-10 V) or Dali
REMARK	also available in XIM BLE version



PRO LED SERIES
CEILING SURFACE



MODEL	REFERENCE	LM OUTPUT	CRI / CCT	BEAM	DIMMING
TUBE FX ON 2 RECT WHITE TUBE FX ON 2 RECT BLACK	A6179W A6179B	2x 1.300 lm	827 - 830 - 840 - V830	11° / 20° 40° / 60°	A D
		2x 2.000 lm	927 - 930 - 940 - V930 - BT - F+	20° / 40° / 60°	

ND: non dimmable / PD: phase dimming / A: 1-10V / D: Dali